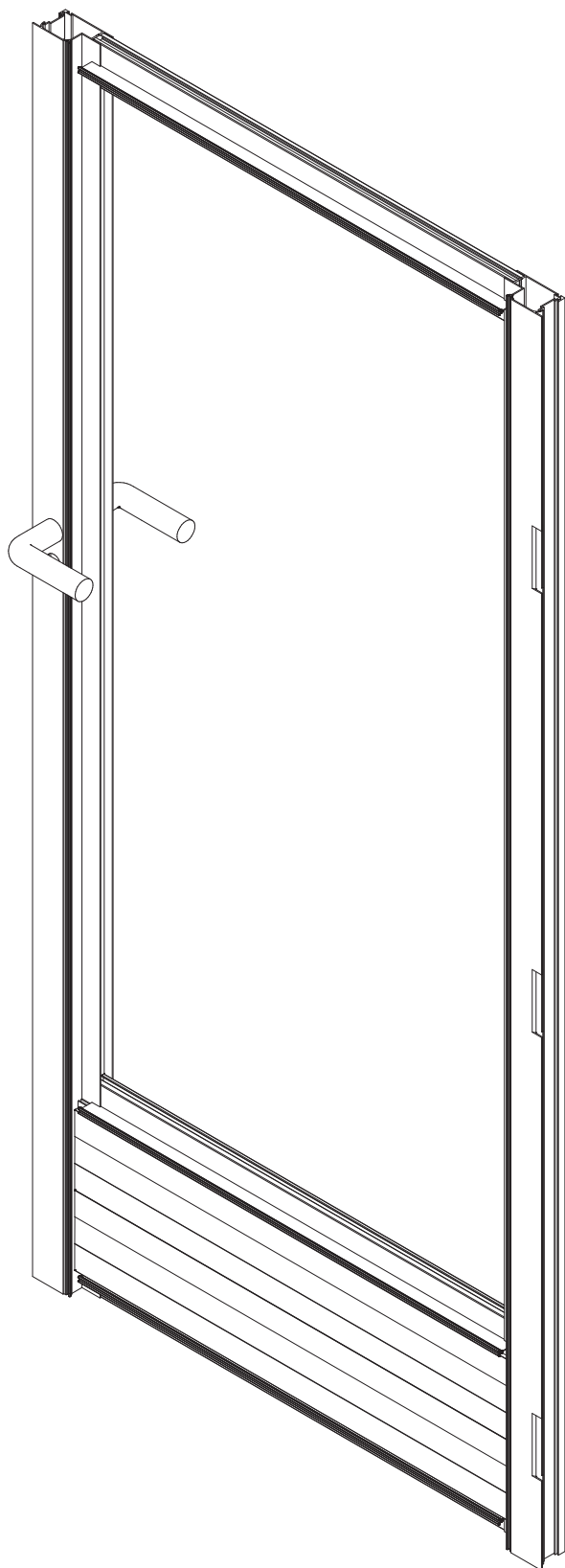




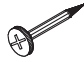
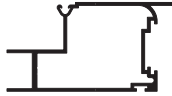
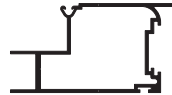
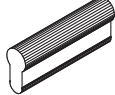
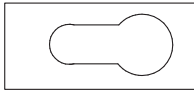
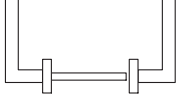

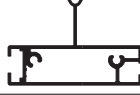





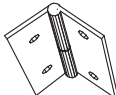
Tropic single turning door

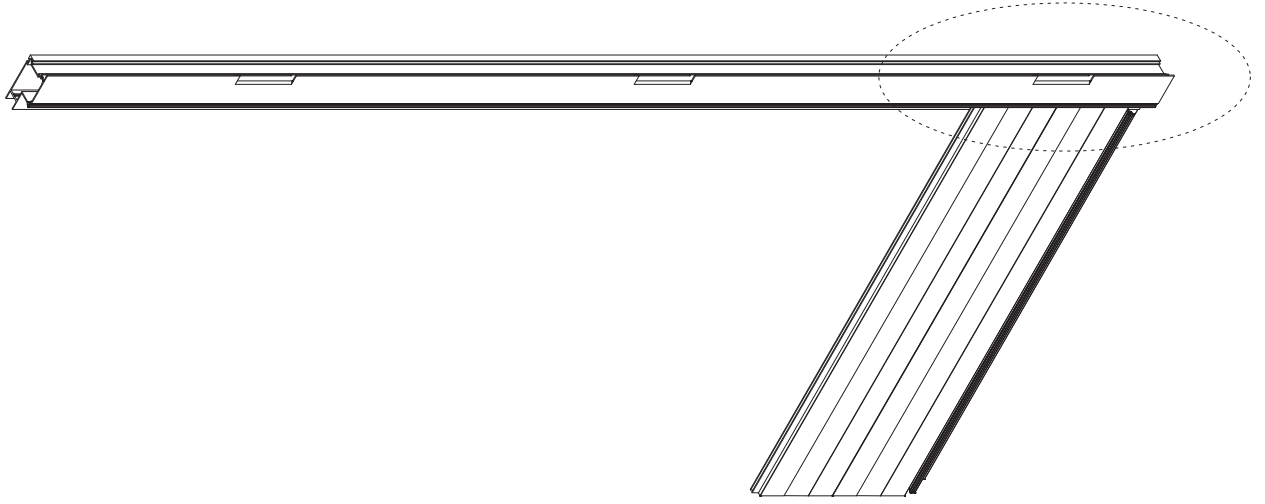
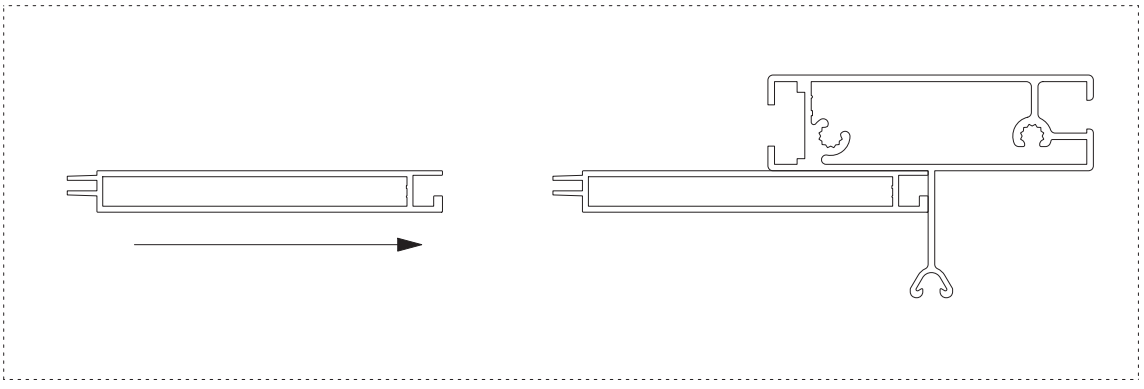


22-03-2012

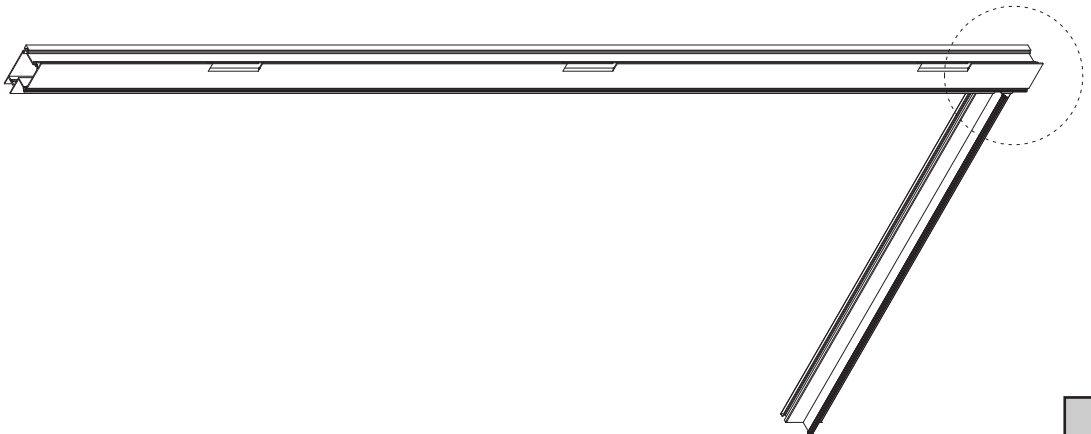
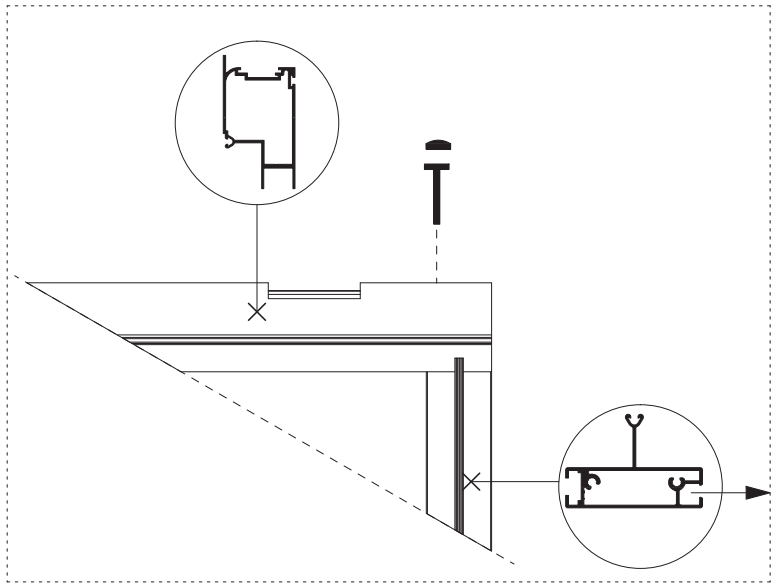
euro-serre

Profile list Tropic Single Turning Door

ES. Nr.	Prof. Nr.	Description	Drawing	Pieces
37		Black cap		12 x
		Screw cilinder M5 x 40		1 x
129		Parker screw ø 4,8 x 19 mm		12 x
	14766	Doorprofile with lock		1 x
	14766	Doorprofile		1 x
		Cilinder for lock		1 x
		Black plate for cilinder		2 x
		Doorhandles		1 x
		Screw M4,2 x 25		6 x
	12959	Middle door		3 x
	13849	fill panel		2 x
70		Doorbrush		1 x
107		Parker screw ø 4,8 x 16		2 x
		Screw Plates		3 x
115		Bolt M6 x 10 A2 sunk Head		2 x
		Hinges		6 x

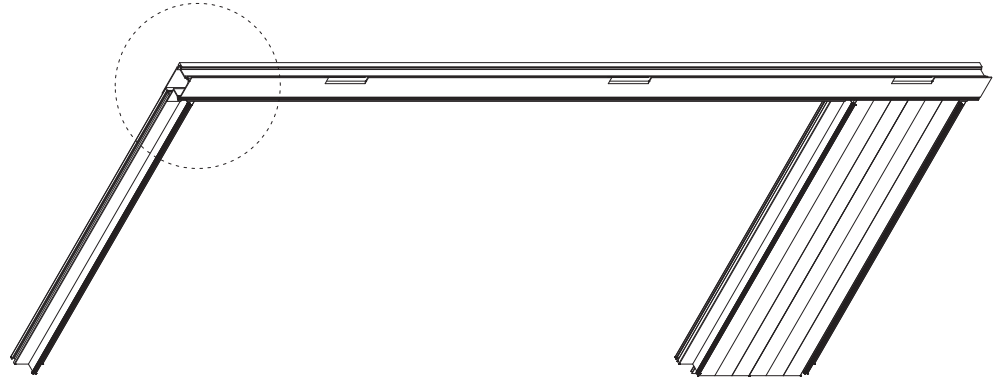
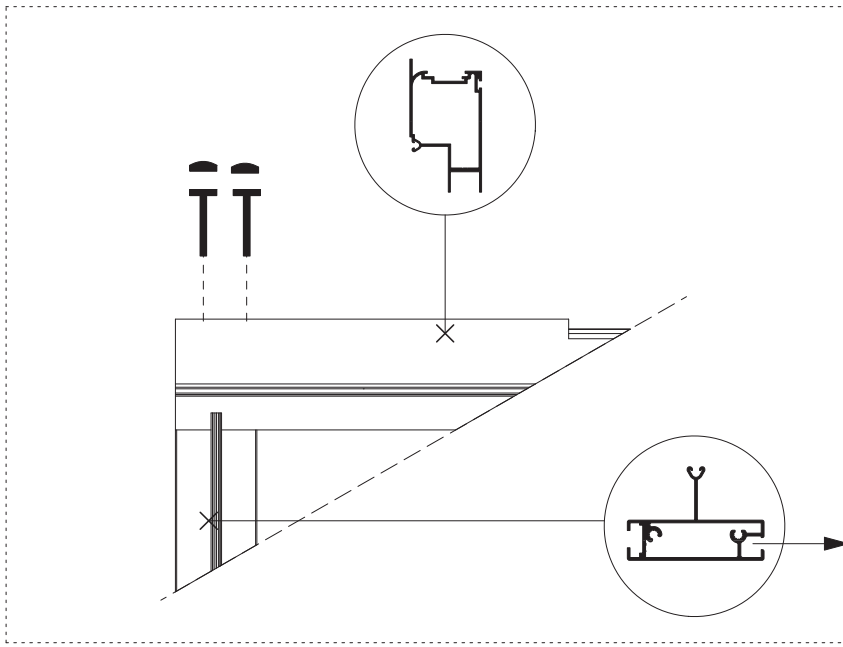
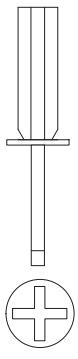


2

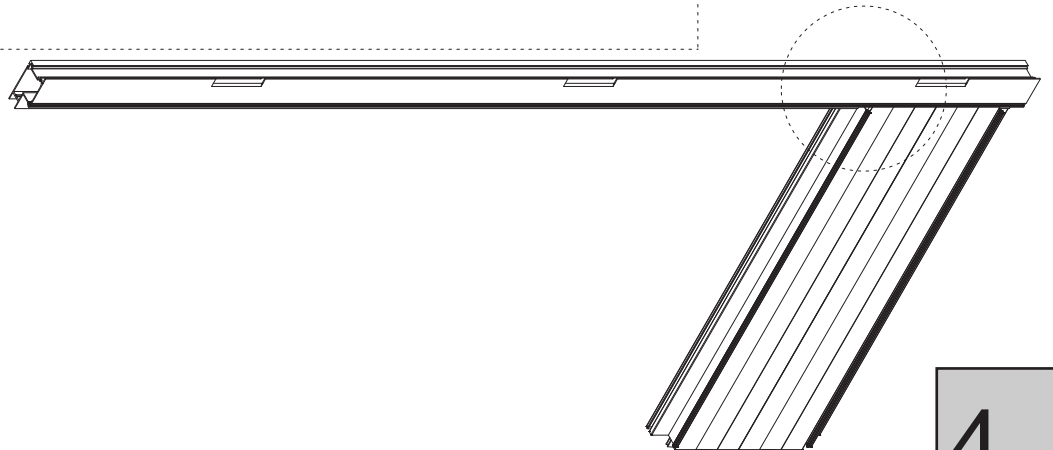
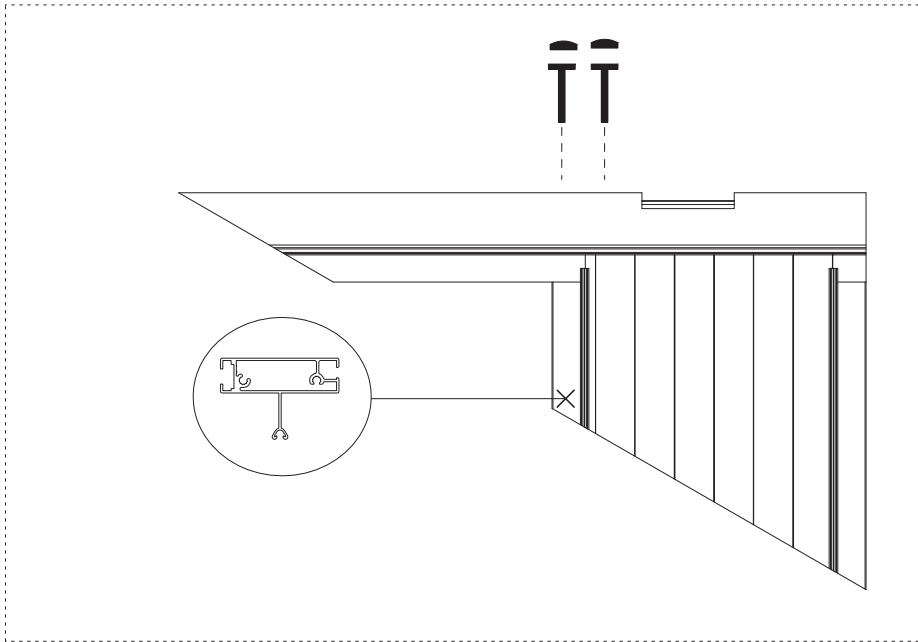
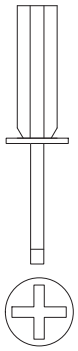


1

3

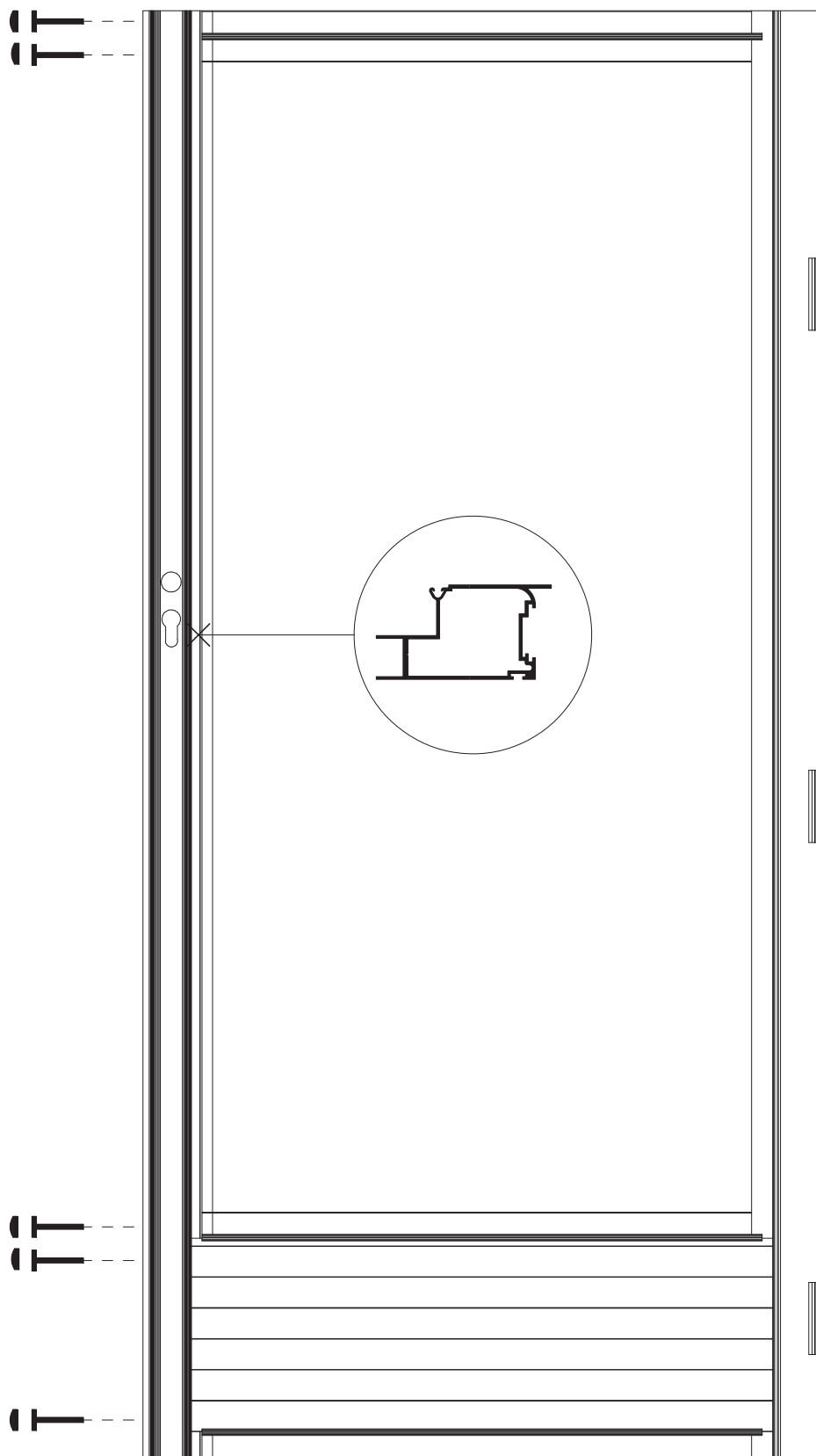
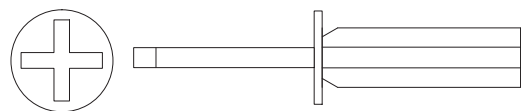


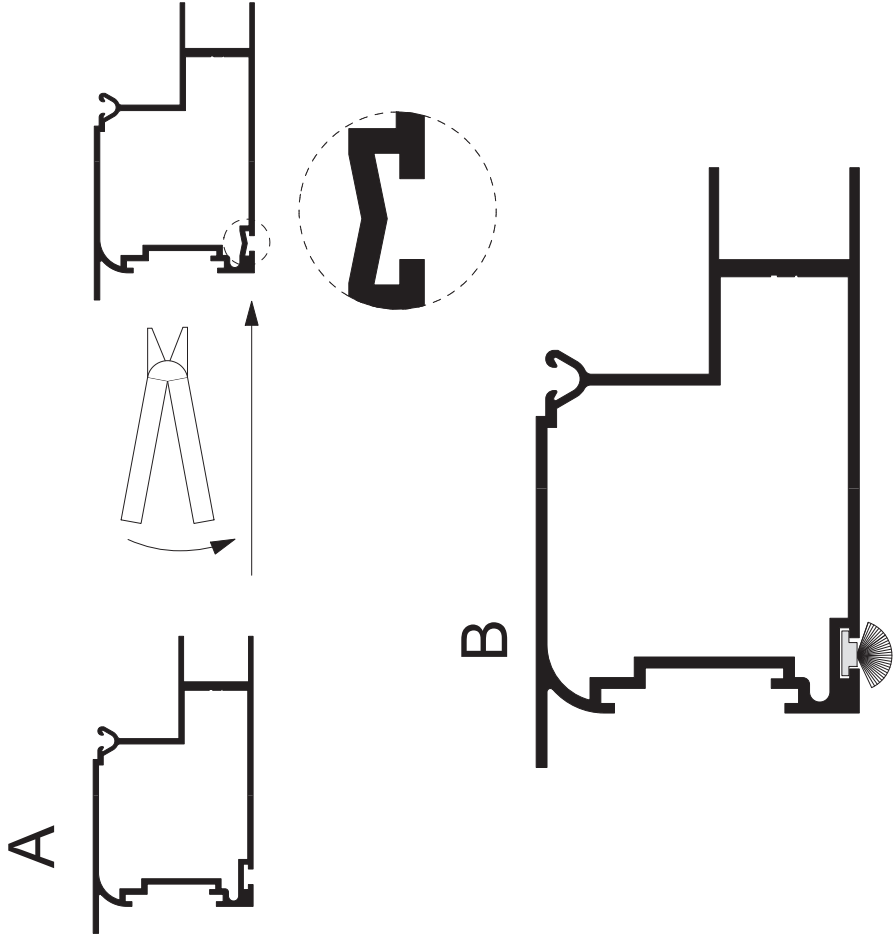
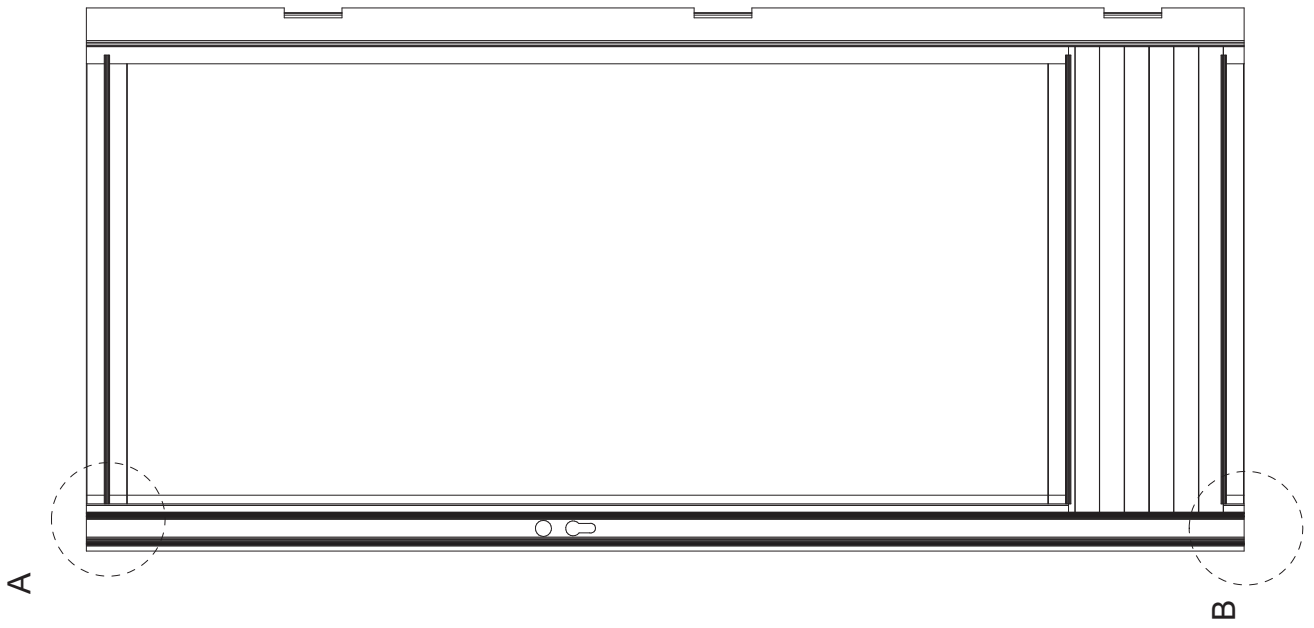
4

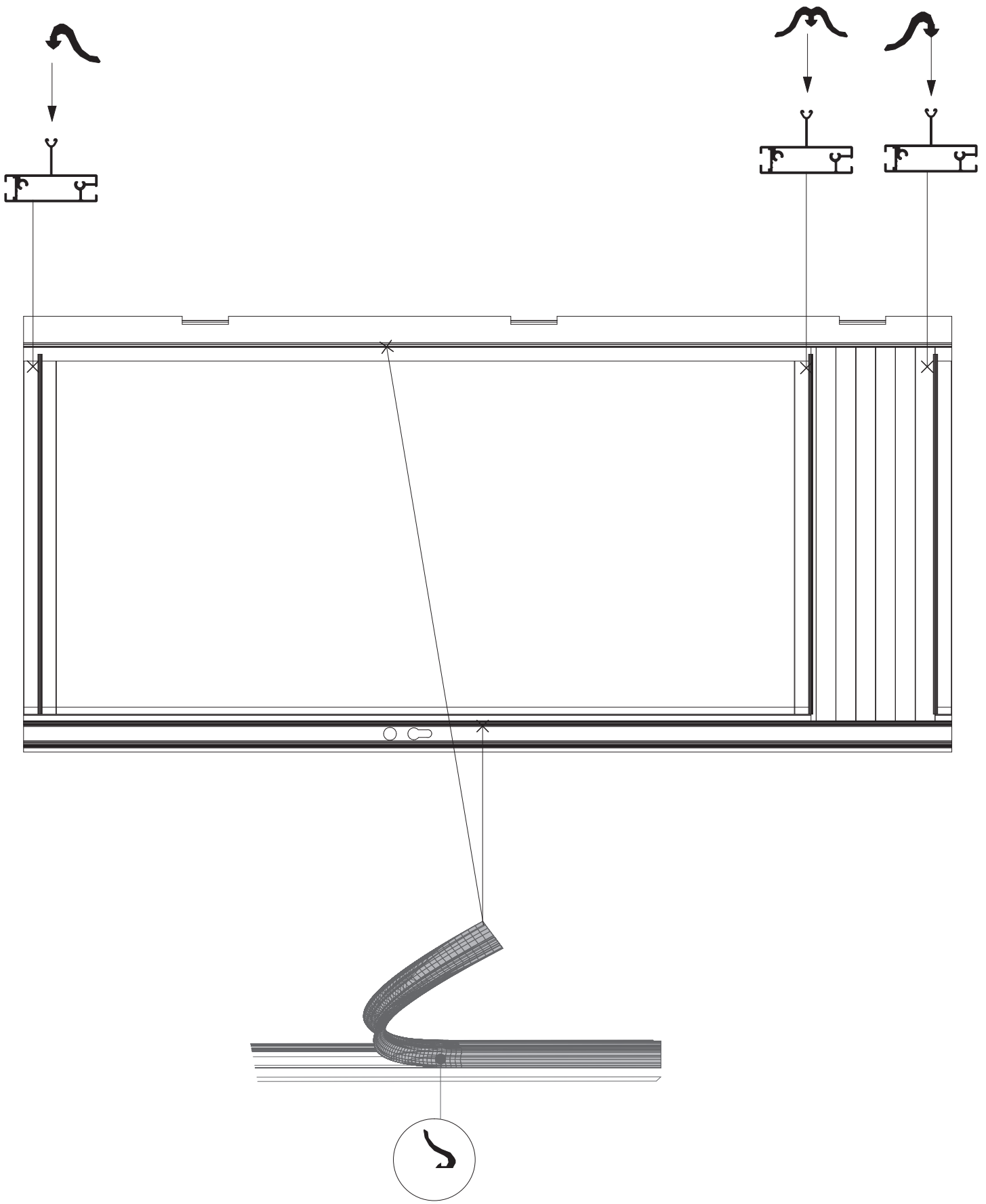


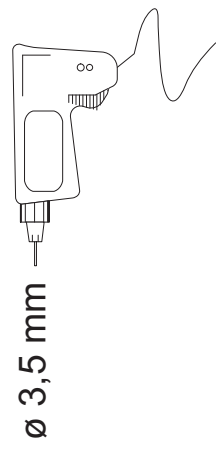
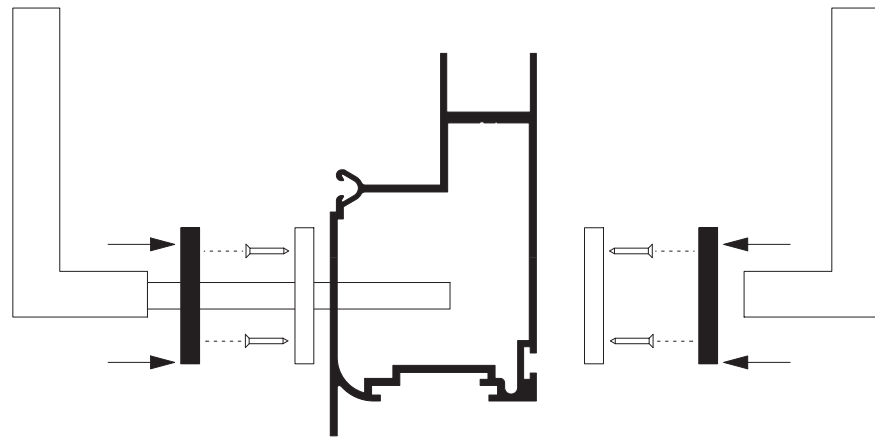
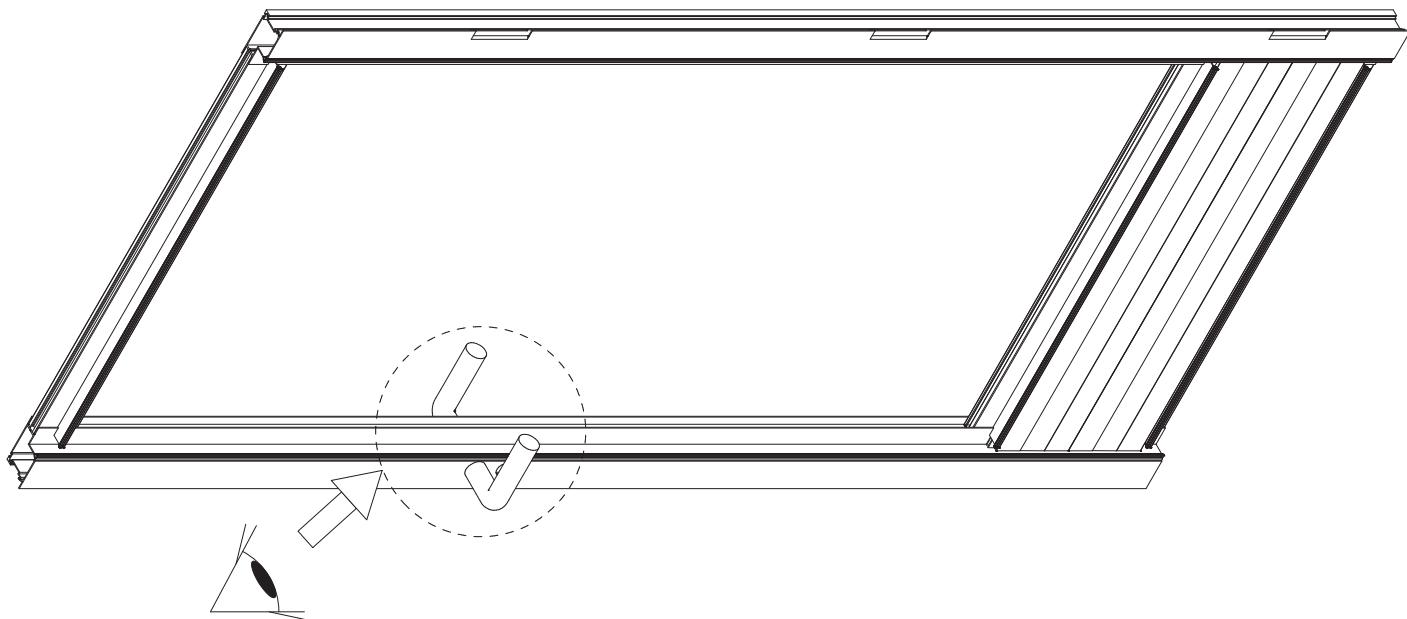
3

4









ø 3,5 mm

